



# gMotio



Updated: February 2022



# gMotio

The gMotio gynaecology couch was designed following 2 years of study with health professionals in Europe and the Middle East. It has been tested by around 20 doctors and 100 patients. gMotio has been designed to provide effective and comfortable treatment, both for the practitioner and for their patients. With its extensive experience, Promotal has created a synergy between two featured products: the Elite gynaecology couch and the eMotio examination couch. gMotio is already considered a must-have gynaecology couch.





## EQUALITY OF TREATMENT

### MAKE LIFE EASIER FOR YOUR PATIENTS WITH REDUCED MOBILITY WITH:

- > Starts at 57cm from the ground
- > Electrical support accompaniment of all patient movements
- > Electrical moving footrests (depending on model)



## EFFICIENCY

### IMPROVE THE FLOW OF YOUR EXAMINATION WITH:

- > An integrated leg rest extension for a trendelenburg position (opt)
- > 3 programmable positions (9 as accessories)
- > Autonomous movements: Press once to change positions
- > Intuitive control and its already configured patient start position
- > Integrated lighting in the table (depending on model)
- > Standard seat rails



## ERGONOMICS

### ALWAYS PROVIDING THE BEST POSITION FOR YOU AND YOUR PATIENT:

- > Precise work on the seat design and foam density
- > Variable height from 57 to 118,5cm (with tilt)
- > Precise and adjustable tilt, easy speculum placement
- > Controls at the right place on the backrest and on the feet
- > Built in retractable wheels for short trips



## SAFETY

### EASY CLEANING OF YOUR COUCH:

- > Seamless upholstery
- > Removable seat and backrest for easy cleaning
- > Cataphoresis treatment of the structure for longevity and hygiene of the product
- > Removable ABS tray
- > Electrically activated wheels by sustained contact

### SAFEGUARD YOUR EXAMINATIONS:

- > Safety sensors
- > Safety battery
- > Dual control

# gMotio



**ELECTRICAL FOOT RESTS  
+ INTEGRATED LIGHTING**  
— Ref 15640-01 (pictured above)

**ELECTRICAL FOOT RESTS**  
— Ref 15630-01

*Model presented with accessories*



**STIRRUPS ON CLAMPS**  
— Ref 15620-01



**LEG RESTS ON CLAMPS**  
— Ref 15626-01



**GOEPEL ON CLAMPS**  
— Ref 15624-01

# gMotio

- OPTIONS
- ACCESSORIES



Integrated mains socket and equipotential terminal  
(EUROPE, UK, US) Ref. 40400-1  
(DK, IT, AUS, CH) Ref. 40400-2



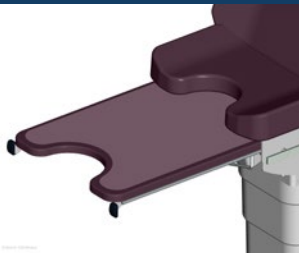
Urology tray  
(replacing the std tray)  
Ref. 2061-30



Stainless steel tray  
(replacing the std tray)  
Ref. 15966-01



Leg rest extension  
Ref. 15672-01



PVC Glass extension leg rest protection  
Ref. 15907-01



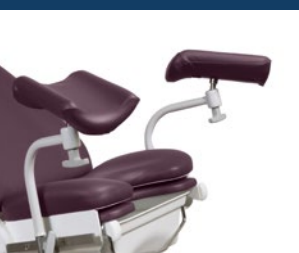
Pair of coated stirrups  
(add x2 clamps 878-12)  
Ref. 12850 (+ 2 x 878-12)  
Incompatible with 15630-01  
and 15640-01



Pair of plastic leg rests  
(add x2 clamps 878-12)  
Ref. 840 (+ 2 x 878-12)  
Incompatible with 15630-01  
and 15640-01



Pair of covers for leg rests  
Ref. 861



Pair of goepfels  
(add x2 clamps 878-12)  
Ref. 845 (+ 2 x 878-12)  
Incompatible with 15630-01  
and 15640-01



Single armrest  
(add x1 clamp 878-12)  
Ref. 2536  
(+ 878-12)



Armrest cover  
(for models 2536)  
Ref. 2537



Footrest hoop cover  
(for models 15630-01 & 15640-01)  
Ref. 15861-01



Adjustable headrest  
(iQuest 3055-20 and gMotio)  
Ref. 11679-01



PVC Glass footrest protection  
Ref. 15905-01



PVC Glass seat protection  
Ref. 15906-01



Manual remote control  
(9 programmable positions)  
Ref. 15031-10



Self-locking serum holder rod 2 hooks  
Ref. 2985-01 (+ 878-12)



Serum rod holder 2 hooks with stop  
Ref. 985-01 (+ 878-12)



Splash guard  
Ref. 12677-01



Colpo support. Zeiss d.38 for gMotio\*  
Ref. 15840-01

\*suppresses autonomous movements



Colpo support. Pivoting Leisegang for gMotio\*  
Ref. 15810-01

\*suppresses autonomous movements



Olympus right colpo support for gMotio\*  
Ref. 15850-01

\*suppresses autonomous movements



Olympus left colpo support for gMotio\*  
Ref. 15851-01

\*suppresses autonomous movements



Stainless steel backrest rail (pair) 25x10 mm  
Ref. 15879-01



Sliding clamp for rail 25x10 mm, ø 16/18 mm  
Ref. 878-12



Rotary clamp for rail 25x10 mm  
Ref. 879-10



Lamp support for rail\* 25x10 mm  
Ref. 295-01

\*to select a light, please refer to the specific documentation



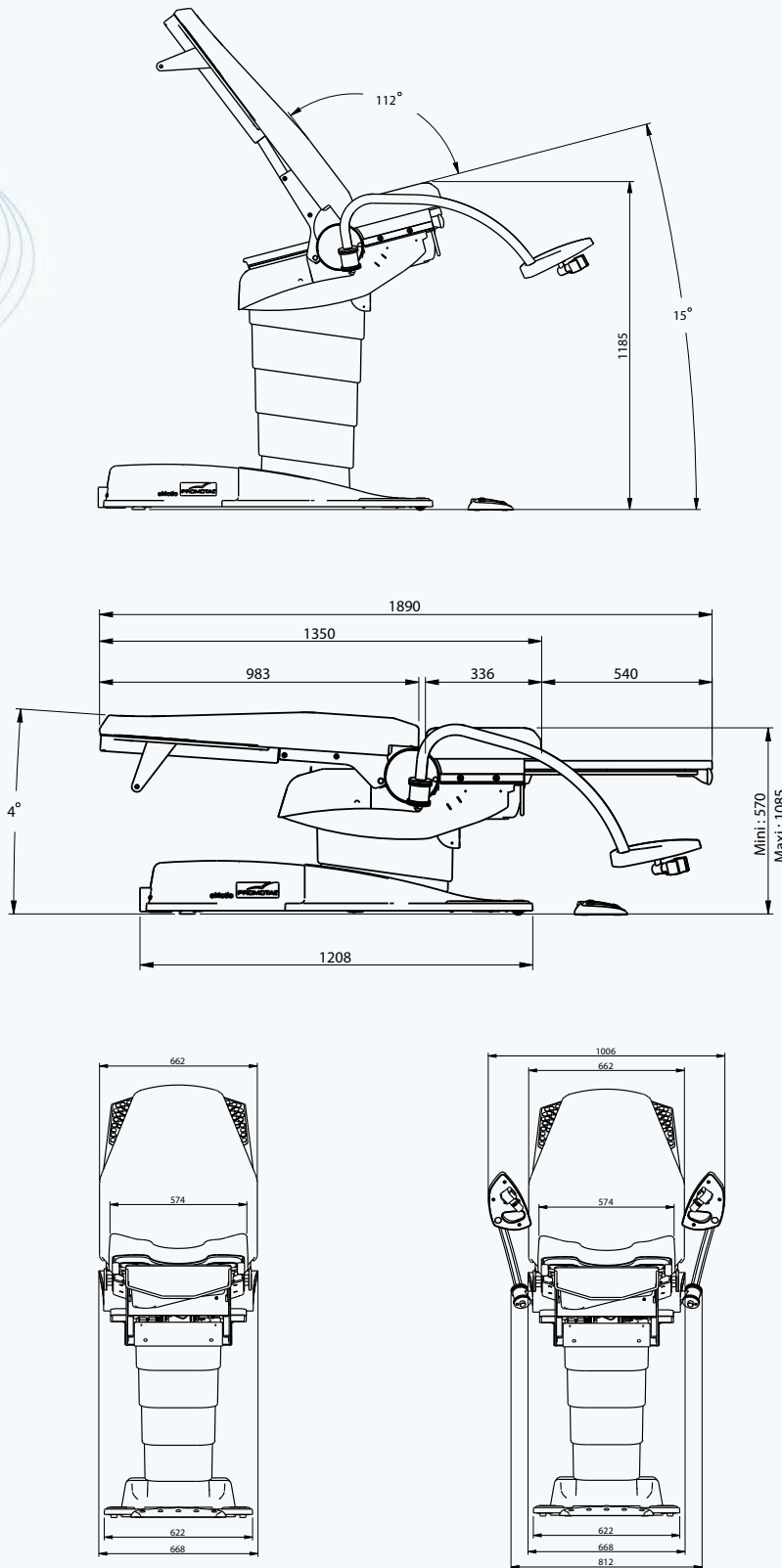
Lamp  
(Refer to the documentation)

# gMotio

MODELS 15620-01/15624-01/15626-01 :  
 NET WEIGHT : 177KG  
 GROSS WEIGHT : 210KG  
 PACKAGE VOLUME : 1,02M3

MODEL 15630-01 :  
 NET WEIGHT : 181KG  
 GROSS WEIGHT : 214KG  
 PACKAGE VOLUME : 1,02M3

MODEL 15640-01 :  
 NET WEIGHT : 182KG  
 GROSS WEIGHT : 215KG  
 PACKAGE VOLUME : 1,02M3



15620-01 / 15624-01 / 15626-01

15630-01 / 15640-01

## UPHOLSTERY COLOURS

Code	Colour Name	Colour	Range
CA	TOMATO	Red	CLASSIC RANGE
CB	FUCHSIA	Dark Red	
CC	PLUM	Dark Purple	
CD	LEMON	Yellow	
CE	PEACOCK	Teal	
CF	SAPHYR	Dark Blue	
CG	MIDNIGHT BLUE	Dark Blue	
CH	GLACIER	Light Blue	
CI	DARK	Black	
57	ANTISTATIC	Black	
CJ	GREY	Grey	ELEGANT RANGE*
CK	PLATINUM	Light Grey	
EA	DEEP GREEN	Dark Green	
EB	VEGETAL	Olive Green	
EC	STORM	Dark Teal	
ED	SILVER BLUE	Light Blue	
EE	PAPRIKA	Dark Red	
EF	TWILIGHT	Orange	
EG	CAMEL	Brown	
EH	CORK	Light Brown	

\* The Elegance range is subject to the application of a price supplement. Please refer to the price list.